

*aimee sher*



## ***Effervescent Pullover***

*Dreamy pullover with optional ruffle  
inspired by whipped topping in bubble tea*

[aimeeshermakes.com](http://aimeeshermakes.com)

# *Effervescent Pullover*

Inspired by the savory whipped cream cheese toppings of Southern California bubble tea drinks in the region that Aimee grew up in, this pullover features delightful tea leaves and yarnover 'boba' pearls in the lace yoke, a boxy cropped body,  $\frac{3}{4}$  length sleeves, all topped with a frothy, light-as-air mohair creamy ruffle.

## *Specs*

### *Sizes*

Sizes 1 (2, 3, 4, 5, 6, 7, 8) with finished full bust circumferences of 36.25 (40, 44.25, 48.75, 52, 56, 60, 64)" / 92 (101.5, 112.5, 124, 132, 142, 152.5, 162.5) cm.

To fit actual upper bust body measurements of 31 (34.25, 37.5, 40.75, 44, 47.25, 50.5, 53.75)" / 78.5 (87, 95.5, 103.5, 112, 120, 128.5, 136.5) cm

Designed to be worn with up to 4-8" / 10-20 cm of positive ease on the full bust measurements of 30 (34, 38, 42, 46, 50, 54, 58)" / 76 (86.5, 96.5, 106.5, 117, 127, 137, 147.5) cm

Choose a size based on the upper bust measurement, and 1" / 2.5 cm or more of positive ease on the finished bust circumference on the full bust. If the intended wearer's full bust measurement has less than 4" / 10 cm of positive ease, they may benefit from optional bust darts. To choose a bust dart size, see Choosing a Cup Size on Page 12.

### *Gauge*

24 sts & 36 rows = 4" / 10 cm in Stockinette st in the round using Needle A, after blocking.

## *Credits*

**Tech Editing & Grade:** Jessica Schwab

**Grading Consultant:** Jen Parroccini

**Layout:** Symphony Chau

**Photos:** Roy and Aimee Sher

## *Pattern Support*

[aimee@aimeeshermakes.com](mailto:aimee@aimeeshermakes.com)

## *Yarn Selection*

### **Yarn A**

3 (3, 3, 3, 4, 4, 4, 5) skeins of **The Wandering Flock** Fingering Singles (Fingering; 100% superwash merino; 366 meters / 400 yards per 100g ball/skein) in the colorway Rainbow Sorbet;

OR approx 850 (925, 1050, 1175, 1275, 1450, 1550, 1750) yards / 775 (850, 950, 1050, 1150, 1300, 1425, 1600) meters of fingering weight yarn.

If knitting bust darts, 20 (20, 25, 25, 30, 30, 35, 35) yards or meters will be required for every size added.

### **Yarn B**

1 skein of **The Wandering Flock Mohair** (Laceweight; 72% Kid Mohair, 28% silk; 420m / 459 yds per 50g skein) in the colorway Rainbow Sorbet.

OR approx 120 (135, 140, 175, 185, 205, 250, 270) yards / 110 (125, 130, 160, 170, 190, 225, 250) meters of a fluffy lace weight yarn.

## *Notions*

stitch markers (4, plus unique marker), scrap yarn, stitch holders, tapestry or darning needle.

## *Needles*

### **NEEDLE A (MAIN FABRIC)**

*Suggested: US 5 / 3.75 mm, or needle size required to obtain Stockinette stitch gauge.*

- 16" / 40 cm circular needle
- 32" / 80 cm circular needle
- DPN's or needles for working small circumferences in the round.

### **NEEDLE B (RIBBING)**

*Suggested: US 4 / 3.5 mm, or one size smaller than Needle A.*

- 16" / 40 cm circular needle
- 32" / 80 cm circular needle
- DPN's or needles for working small circumferences in the round.

### **NEEDLE C (RUFFLE)**

*Suggested: US6 / 4.0 mm, or one needle size larger than Needle A 32" / 80 cm or 40" / 100 cm circular needle*

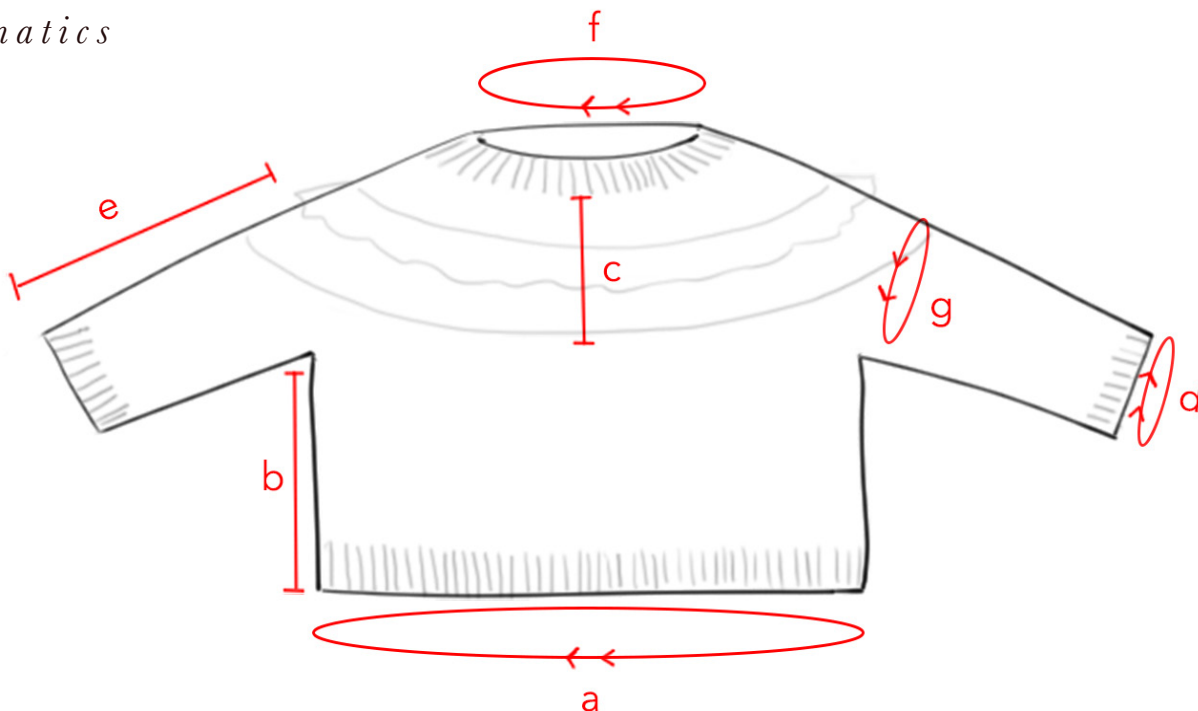
*Always use a needle size that will result in the correct gauge after blocking.*

## *Construction Notes*

Knit bottom up in the round, then joined to continue working the yoke in the round. The yoke is shaped using the wedge pattern chart. Short Row shaping lifts the neckline in the back, before the neckline is worked in ribbing and bound off.

The pattern is intended to be cropped just past the belly button. The sleeves should fall just past the elbow as well. There are points in the pattern marked as ideal points to lengthen these measurements to create a longer body or sleeves. If the intended wearer is taller, they may have to lengthen the body and sleeves.

Schematics



SCHEMATIC MEASUREMENTS									
Size		1	2	3	4	5	6	7	8
To fit upper bust	in	31	34.25	37.5	40.75	44	47.25	50.5	53.75
	cm	78.5	87	95.5	103.5	112	120	128.5	136.5
To fit full bust	in	30	34	38	42	46	50	54	58
	cm	76	86.5	96.5	106.5	117	127	137	147.5
a) Chest circumference	in	36.25	40	44.25	48.75	52	56	60	64
	cm	92	101.5	112.5	124	132	142	152.5	162.5
b) Length (hem to underarm)	in	9	9	9	9	9	9	9	9
	cm	23	23	23	23	23	23	23	23
c) Yoke depth	in	6.75	6.75	7.75	8.5	9	9.75	10.25	10.5
	cm	17	17	19.5	21.5	23	25	26	26.5
d) Forearm circumference	in	10.25	10.75	11.25	11.25	12	12.75	12.75	13
	cm	26	27.5	28.5	28.5	30.5	32.5	32.5	33
e) Sleeve length	in	9.5	9.5	9.5	9.5	9.5	9.5	9.5	9.5
	cm	24	24	24	24	24	24	24	24
f) Neck circumference	in	11.75	13	13.5	14.5	15.25	16	16.75	17.5
	cm	29.5	32.5	34	36.5	38	40	42	44
g) Upper arm circumference	in	12	12.75	13.75	14.75	15.75	17.5	18.5	20.5
	cm	30.5	32.5	35	37.5	40	44.5	47	52